

Industrial Tank Heaters

1500 - 5000 watt
Weathertight
Three Phase



WL Model without thermostat



WL Model with thermostat



Ambient Above -20° F	Ambient Below -20° F	Model Number without Thermostat	Model Number with Thermostat (see chart 1)	Volts	Watts	Ø	Amp	Fig.* No.
500 Cubic Inch or Less	300 Cubic Inch or Less	WL315800-000	WL3158XX-000	208	1500	3	4.2	5
		WL315200-000	WL3152XX-000	240	1500	3	3.6	5
		WL315400-000	WL3154XX-000	480	1500	3	1.8	5
500 — 600 Cubic Inch or Less	300 — 400 Cubic Inch or Less	WL320800-000	WL3208XX-000	208	2000	3	5.6	5
		WL320200-000	WL3202XX-000	240	2000	3	4.8	5
		WL320300-000	WL3203XX-000	380	2000	3	3.0	5
		WL320400-000	WL3204XX-000	480	2000	3	2.4	5
		WL320500-000	WL3205XX-000	575	2000	3	2.0	5
600 — 800 Cubic Inch or Less	400 — 500 Cubic Inch or Less	WL325800-000	WL3258XX-000	208	2500	3	6.9	5
		WL325200-000	WL3252XX-000	240	2500	3	6.0	5
		WL325300-000	WL3253XX-000	380	2500	3	3.8	5
		WL325400-000	WL3254XX-000	480	2500	3	3.0	5
		WL325500-000	WL3255XX-000	575	2500	3	2.5	5
800 — 1000 Cubic Inch or Less	500 — 600 Cubic Inch or Less	WL330800-000	WL3308XX-000	208	3000	3	8.3	5
		WL330200-000	WL3302XX-000	240	3000	3	7.2	5
		WL330300-000	WL3303XX-000	380	3000	3	4.6	5
		WL330400-000	WL3304XX-000	480	3000	3	3.6	5
		WL330500-000	WL3305XX-000	575	3000	3	3.0	5
1000 — 1350 Cubic Inch or Less	600 — 800 Cubic Inch or Less	WL340800-000	WL3408XX-000	208	4000	3	11.1	5
		WL340200-000	WL3402XX-000	240	4000	3	9.6	5
		WL340300-000	WL3403XX-000	380	4000	3	6.1	5
		WL340400-000	WL3404XX-000	480	4000	3	4.8	5
		WL340500-000	WL3405XX-000	575	4000	3	4.0	5
1350 — 1650 Cubic Inch or Less	800 — 1000 Cubic Inch or Less	WL350800-000	WL3508XX-000	208	5000	3	13.9	5
		WL350200-000	WL3502XX-000	240	5000	3	12.0	5
		WL350300-000	WL3503XX-000	380	5000	3	7.6	5
		WL350400-000	WL3504XX-000	480	5000	3	6.0	5
		WL350500-000	WL3505XX-000	575	5000	3	5.0	5

*Figure Number refers to technical drawings of heaters located on page 14.

INSTALLATION TIPS	
If you require a 1" NPT female thread on the thermostat intake, a coupler is available. Also, for the use of 3/4" or 1" ID heater hose, hose barb adapters are available. See below.	
Part Number	Description
HB-1	1" NPT to 1" hose barb adapter. Installs in 1" NPT female inlet or outlet of the heater.
HB-3/4	1" NPT to 3/4" hose barb adapter. Installs in 1" NPT female inlet or outlet of the heater.
HB-C	1" NPT x 1" NPT aluminum coupler. Installs on 1" NPT inlet to T-Stat and allows the addition of HB-1 or HB-3/4.
HB-K3/4	Kit contains (2) HB-3/4 and (1) HB-C
HB-K1	Kit contains (2) HB-1 and (1) HB-C

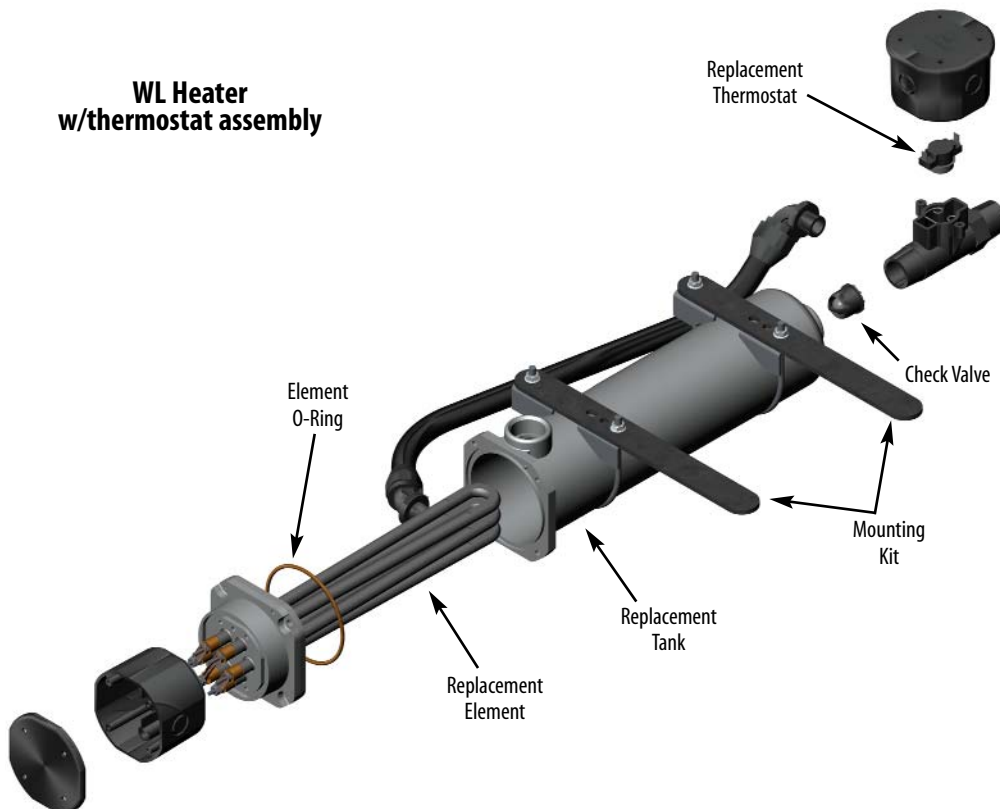
CHART 1			
HEATERS WITH THERMOSTATS			
To specify temperature range of thermostat, insert numerical code from chart in place of the XX in model number.			
Example:			
Desired Temperature Range 100° - 120°F			
Catalog Number: Model WL3152XX-000			
Order as: Model WL315210-000			
All heaters over 277v and all 3Ø units must use a control box	TEMPERATURE RANGE		NUMERICAL CODE
	ON	OFF	
See Control Systems page 38	60°F	80°F	06
	80°F	100°F	08
	100°F	120°F	10
	120°F	140°F	12
	140°F	160°F	14
Adjustable 90° - 130°F		A3	

Replacement Parts

For tank-style heaters shown on page 12

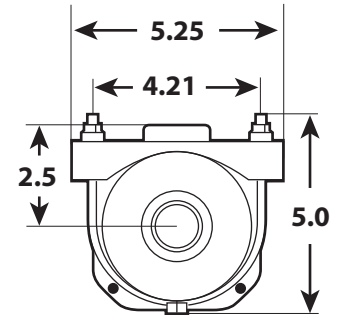
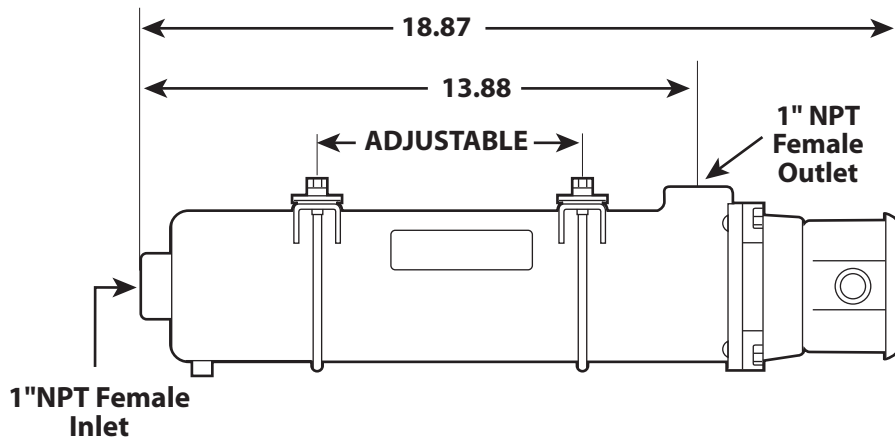
Model Number	Volts	Watts	Replaceable Parts				
			Element	Tank	Element O-ring	Mounting Kit	Check Valve
WL315800-000	208	1500	E01583W-15NT-00	RTL	TML-OR	FK6	RV-M
WL315200-000	240	1500	E01523W-15NT-00	RTL	TML-OR	FK6	RV-M
WL315400-000	480	1500	E01543W-15NT-00	RTL	TML-OR	FK6	RV-M
WL320800-000	208	2000	E02083W-25NT-00	RTL	TML-OR	FK6	RV-M
WL320200-000	240	2000	E02023W-25NT-00	RTL	TML-OR	FK6	RV-M
WL320300-000	380	2000	E02033W-25NT-00	RTL	TML-OR	FK6	RV-M
WL320400-000	480	2000	E02043W-25NT-00	RTL	TML-OR	FK6	RV-M
WL320500-000	575	2000	E02053W-25NT-00	RTL	TML-OR	FK6	RV-M
WL325800-000	208	2500	E02583W-30NT-00	RTL	TML-OR	FK6	RV-M
WL325200-000	240	2500	E02523W-30NT-00	RTL	TML-OR	FK6	RV-M
WL325300-000	380	2500	E02533W-30NT-00	RTL	TML-OR	FK6	RV-M
WL325400-000	480	2500	E02543W-30NT-00	RTL	TML-OR	FK6	RV-M
WL325500-000	575	2500	E02553W-30NT-00	RTL	TML-OR	FK6	RV-M
WL330800-000	208	3000	E03083W-30NT-00	RTL	TML-OR	FK6	RV-M
WL330200-000	240	3000	E03023W-30NT-00	RTL	TML-OR	FK6	RV-M
WL330300-000	380	3000	E03033W-30NT-00	RTL	TML-OR	FK6	RV-M
WL330400-000	480	3000	E03043W-30NT-00	RTL	TML-OR	FK6	RV-M
WL330500-000	575	3000	E03053W-30NT-00	RTL	TML-OR	FK6	RV-M
WL340800-000	208	4000	E04083W-50NT-00	RTL	TML-OR	FK6	RV-M
WL340200-000	240	4000	E04023W-50NT-00	RTL	TML-OR	FK6	RV-M
WL340300-000	380	4000	E04033W-50NT-00	RTL	TML-OR	FK6	RV-M
WL340400-000	480	4000	E04043W-50NT-00	RTL	TML-OR	FK6	RV-M
WL340500-000	575	4000	E04053W-50NT-00	RTL	TML-OR	FK6	RV-M
WL350800-000	208	5000	E05083W-50NT-00	RTL	TML-OR	FK6	RV-M
WL350200-000	240	5000	E05023W-50NT-00	RTL	TML-OR	FK6	RV-M
WL350300-000	380	5000	E05033W-50NT-00	RTL	TML-OR	FK6	RV-M
WL350400-000	480	5000	E05043W-50NT-00	RTL	TML-OR	FK6	RV-M
WL350500-000	575	5000	E05053W-50NT-00	RTL	TML-OR	FK6	RV-M

WL Heater w/thermostat assembly



Heaters with Thermostats		
Temperature Range		Thermostat Replacement
ON	OFF	
60°F	80°F	RSU6
80°F	100°F	RSU8
100°F	120°F	RSU10
120°F	140°F	RSU12
140°F	160°F	RSU14
Adjustable 90° - 130°F		RSU90-130

WL Style Heater without thermostat



WL Style Heater with thermostat

