

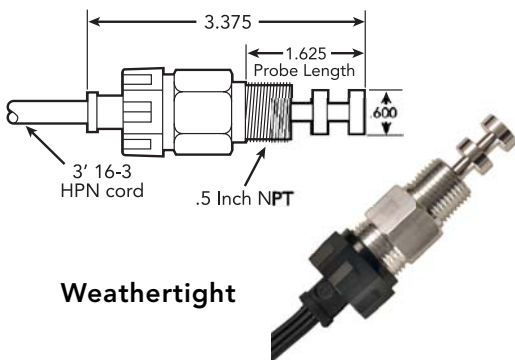
Remote thermostats for Weathertight and Class I, Group D Oil Heaters (see p. 20 for heater models)

REMOTE THERMOSTATS for OIL HEATERS

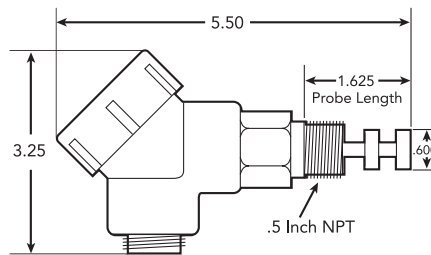
Weathertight	Class I, Group D	Temperature Range		Sensing Unit	Thread Size
		ON	OFF		
DIT68	DIT68EP	60°F (16C)	80°F (27C)	LSU6	.5" NPT
DIT810	DIT810EP	80°F (27C)	100°F (38C)	LSU8	.5" NPT
DIT1012	DIT1012EP	100°F (38C)	120°F (49C)	LSU10	.5" NPT
DIT1214	DIT1214EP	120°F (49C)	140°F (60C)	LSU12	.5" NPT

Switch Capacity

- 120V - 15amp
- 208V - 10amp
- 240V - 10amp
- 277V - 10amp
- 12V DC } Pilot Duty Only
- 24V DC }



Weathertight



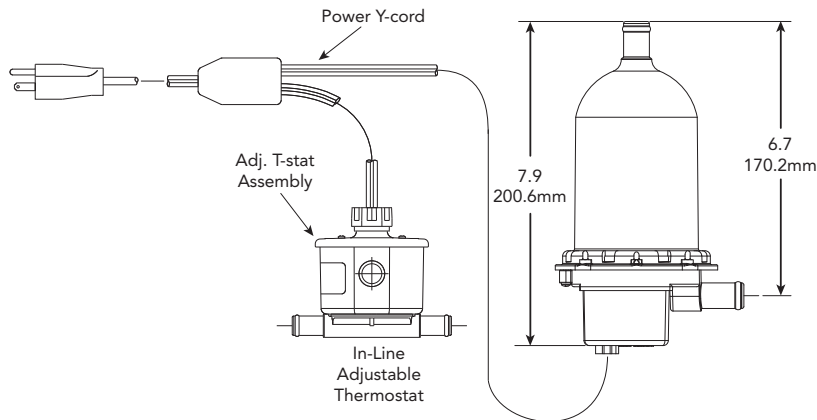
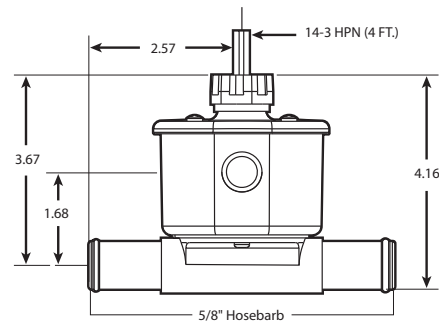
Class I, Group D

Remote adjustable thermostat for TPS tank style heater (see p. 7 for heater models)

5/8" HB female x 5/8" HB male

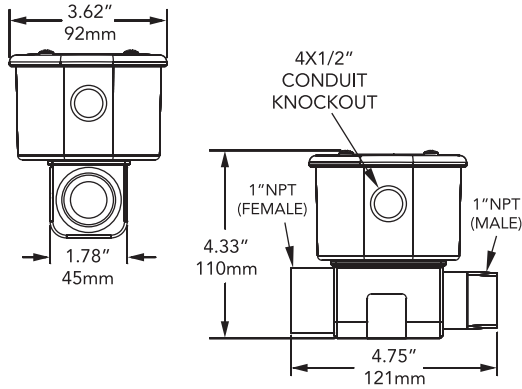
Part Number	Adjustable Range Temperature Setting	Sensing Unit
TFTA-5/8HB	Adjustable 90-130°F (32-54°C)	FSU90-130

Part number does not include "Y" cord



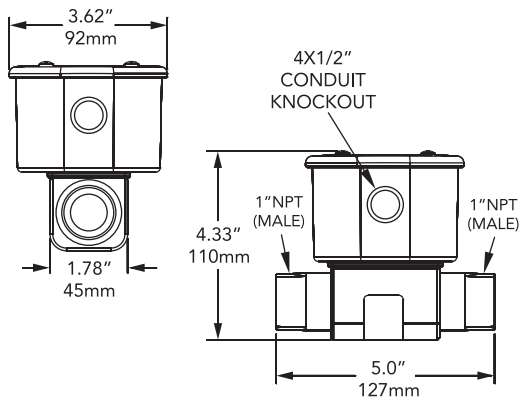
Temperature Controls

NOTE: When using a thermostat above rated capacity or on 3 phase applications, select the proper control box with transformer and contactor as shown on page 30.



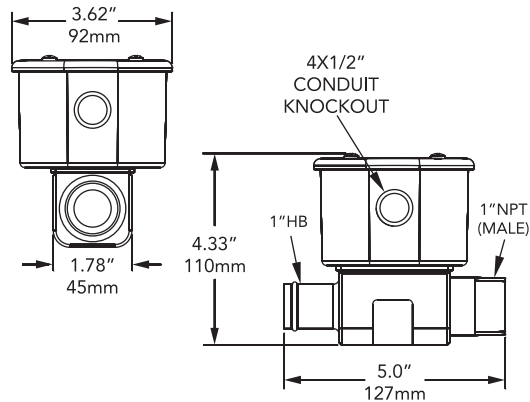
1" NPT female x 1" NPT male CONDUIT TYPE ENCLOSURE

Part Number	Temperature Setting		Maximum Capacity Ratings		
	On	Off	120/240V	277V	480V
TFTC8-200	80°F (27C)	100°F (38C)	25amp	22amp	22amp
TFTC10-200	100°F (38C)	120°F (49C)	25amp	22amp	22amp
TFTC12-200	120°F (49C)	140°F (60C)	25amp	22amp	22amp
TFTCA-200	Adjustable 90-130°F (32-54°C)		25amp	22amp	22amp



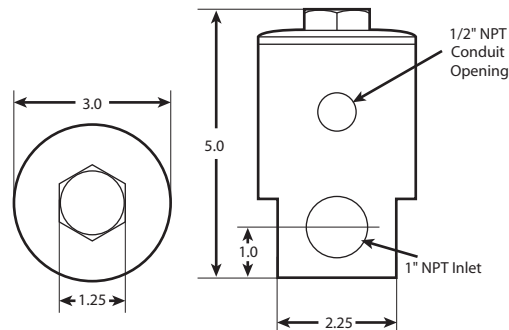
1" NPT male x 1" NPT male CONDUIT TYPE ENCLOSURE

Part Number	Temperature Setting		Maximum Capacity Ratings		
	On	Off	120/240V	277V	480V
TFTC8-220	80°F (27C)	100°F (38C)	25amp	22amp	22amp
TFTC10-220	100°F (38C)	120°F (49C)	25amp	22amp	22amp
TFTC12-220	120°F (49C)	140°F (60C)	25amp	22amp	22amp
TFTCA-220	Adjustable 90-130°F (32-54°C)		25amp	22amp	22amp



1" hose barb x 1" NPT male CONDUIT TYPE ENCLOSURE

Part Number	Temperature Setting		Maximum Capacity Ratings		
	On	Off	120/240V	277V	480V
TFTC8-240	80°F (27C)	100°F (38C)	25amp	22amp	22amp
TFTC10-240	100°F (38C)	120°F (49C)	25amp	22amp	22amp
TFTC12-240	120°F (49C)	140°F (60C)	25amp	22amp	22amp
TFTCA-240	Adjustable 90-130°F (32-54°C)		25amp	22amp	22amp



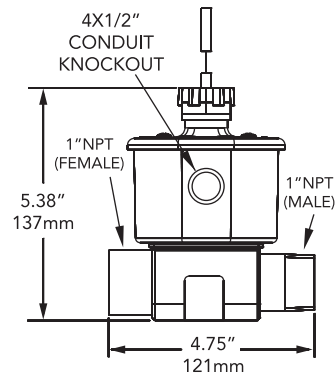
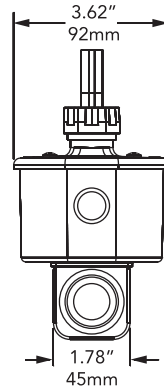
CLASS 1, GROUP D CONDUIT TYPE ENCLOSURE

Part Number	Temperature Setting		Maximum Capacity Ratings		
	On	Off	120/240V	277V	480V
TFT8ER	80°F (27C)	100°F (38C)	25amp	22amp	22amp
TFT10ER	100°F (38C)	120°F (49C)	25amp	22amp	22amp
TFT12ER	120°F (49C)	140°F (60C)	25amp	22amp	22amp

NOTE: When using a thermostat above rated capacity or on 3 phase applications, select the proper control box with transformer and contactor as shown on page 30.

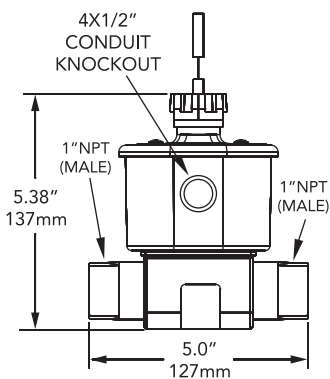
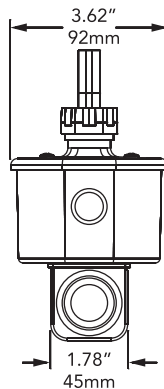
1" NPT female x 1" NPT male CORD CONNECTED

Part Number	Temperature Setting		Maximum Capacity Ratings		
	On	Off	120/240V	277V	480V
TFT8-200	80°F (27C)	100°F (38C)	25amp	22amp	22amp
TFT10-200	100°F (38C)	120°F (49C)	25amp	22amp	22amp
TFT12-200	120°F (49C)	140°F (60C)	25amp	22amp	22amp
TFTA-200	Adjustable 90-130°F (32-54°C)		25amp	22amp	22amp



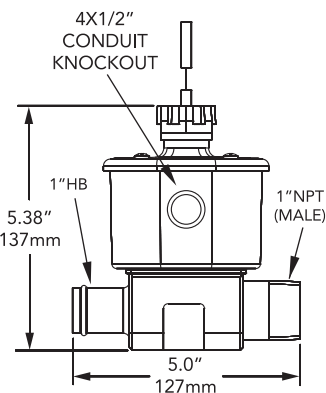
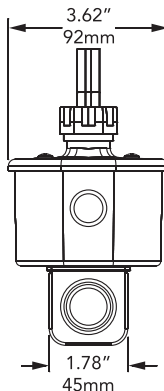
1" NPT male x 1" NPT male CORD CONNECTED

Part Number	Temperature Setting		Maximum Capacity Ratings		
	On	Off	120/240V	277V	480V
TFT8-220	80°F (27C)	100°F (38C)	25amp	22amp	22amp
TFT10-220	100°F (38C)	120°F (49C)	25amp	22amp	22amp
TFT12-220	120°F (49C)	140°F (60C)	25amp	22amp	22amp
TFTA-220	Adjustable 90-130°F (32-54°C)		25amp	22amp	22amp



1" hose barb male x 1" NPT male CORD CONNECTED

Part Number	Temperature Setting		Maximum Capacity Ratings		
	On	Off	120/240V	277V	480V
TFT8-240	80°F (27C)	100°F (38C)	25amp	22amp	22amp
TFT10-240	100°F (38C)	120°F (49C)	25amp	22amp	22amp
TFT12-240	120°F (49C)	140°F (60C)	25amp	22amp	22amp
TFTA-240	Adjustable 90-130°F (32-54°C)		25amp	22amp	22amp



REMOTE-ADJUSTABLE With 60" (152cm) Capillary Probe

Part Number	Adjustable Range Temp. Setting	Maximum Capacity Ratings		
		120/208/240V	277V	480V
AT6525	65 - 250°F (18 - 121°C) (Open or Off Setting) Differential 7°F (-14°C) (Close or On Setting)	25amp	22amp	5amp

