

Industrial Tank Heaters

(With Power Cord)

1500 - 4000 watt
Weathertight
Single Phase

SB Models include hi-limit thermostats and carry CSA-C/US approval.



SB Model with power cord; no thermostat



SB Model with thermostat and power cord



SL Model with power cord; no thermostat.



SL Model with thermostat and power cord.

Ambient Above -20° F	Ambient Below -20° F	Model Number without Thermostat	Model Number with Thermostat (see chart 1)	Volts	Watts	Phase	Amps	Fig.* No.
350 — 500 Cubic Inch or Less	200 — 300 Cubic Inch or Less	SB115100-000	SB1151XX-000	120	1500	1	12.5	2
		SB115800-000	SB1158XX-000	208	1500	1	7.2	2
		SB115200-000	SB1152XX-000	240	1500	1	6.3	2
		SB115700-000	SB1157XX-000	277	1500	1	5.4	2
500 — 600 Cubic Inch or Less	300 — 400 Cubic Inch or Less	SB120100-000	SB1201XX-000	120	2000	1	16.7	2
		SB120800-000	SB1208XX-000	208	2000	1	9.6	2
		SB120200-000	SB1202XX-000	240	2000	1	8.3	2
600 — 800 Cubic Inch or Less	400 — 500 Cubic Inch or Less	SB122100-000	SB1221XX-000	120	2250	1	18.8	2
		SB125800-000	SB1258XX-000	208	2500	1	12.0	2
		SB125200-000	SB1252XX-000	240	2500	1	10.4	2
		SB125700-000	SB1257XX-000	277	2500	1	9.0	2
800 — 1000 Cubic Inch or Less	500 — 600 Cubic Inch or Less	SL130100-000	—	120	3000	1	25.0	4
		SL130800-000	SL1308XX-000	208	3000	1	14.4	4
		SL130200-000	SL1302XX-000	240	3000	1	12.5	4
		SL130700-000	SL1307XX-000	277	3000	1	10.8	4
1000 — 1350 Cubic Inch or Less	600 — 800 Cubic Inch or Less	SL140800-000	SL1408XX-000	208	4000	1	19.2	4
		SL140200-000	SL1402XX-000	240	4000	1	16.7	4
		SL140700-000	SL1407XX-000	277	4000	1	14.4	4

*Figure Number refers to technical drawings of heaters located on page 14.

All 208v, 277v and 3000w/120v models come with cord only - no plug.

INSTALLATION TIPS

If you require a 1" NPT female thread on the thermostat intake, a coupler is available. Also, for the use of 3/4" or 1" ID heater hose, hose barb adapters are available. See below.

Part Number	Description
HB-1	1" NPT to 1" hose barb adapter. Installs in 1" NPT female inlet or outlet of the heater.
HB-3/4	1" NPT to 3/4" hose barb adapter. Installs in 1" NPT female inlet or outlet of the heater.
HB-C	1" NPT x 1" NPT aluminum coupler. Installs on 1" NPT inlet to T-Stat and allows the addition of HB-1 or HB-3/4.
HB-K3/4	Kit contains (2) HB-3/4 and (1) HB-C
HB-K1	Kit contains (2) HB-1 and (1) HB-C

CHART 1

HEATERS WITH THERMOSTATS

To specify temperature range of thermostat, insert numerical code from chart in place of the **XX** in model number.

Example:

Desired Temperature Range 100° - 120°F
Catalog Number: Model SB1151**XX**-000
Order as: Model SB1151**10**-000

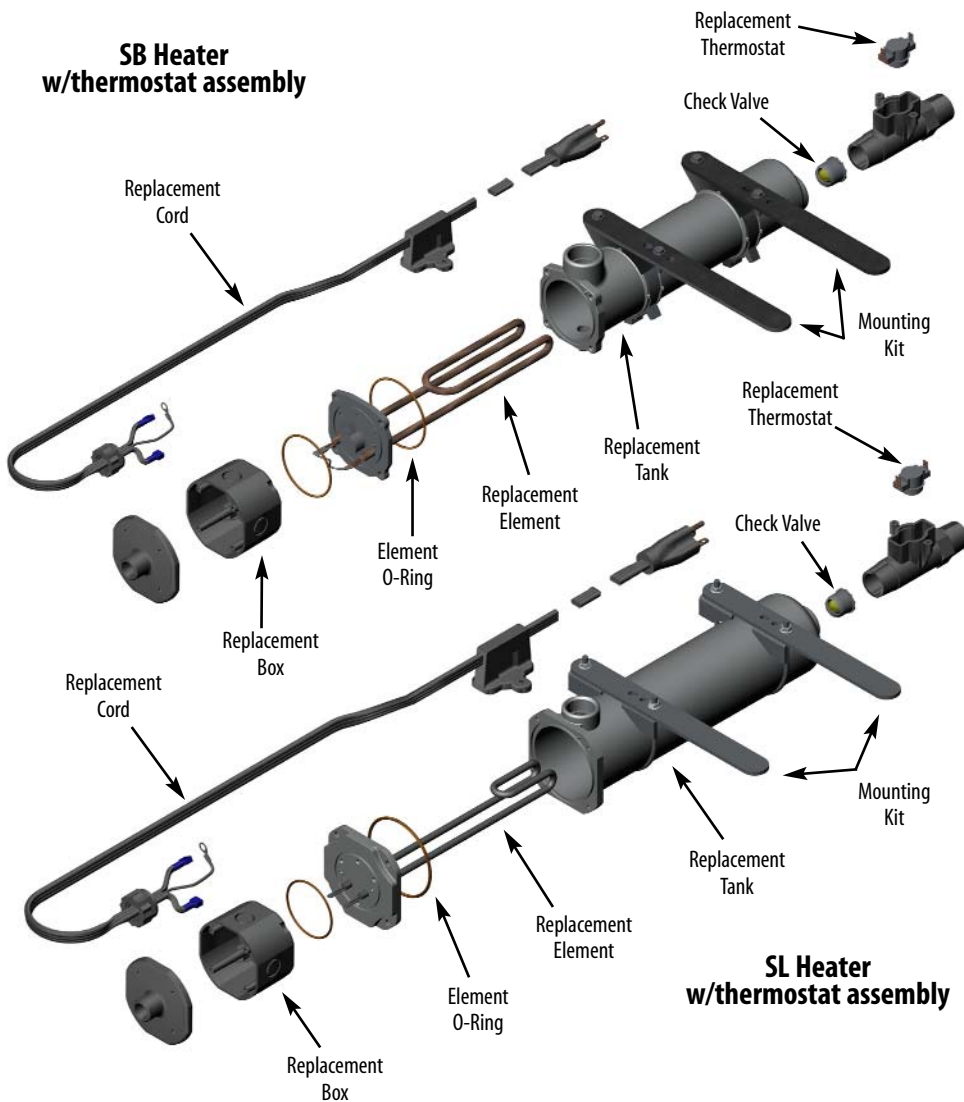
	TEMPERATURE RANGE		NUMERICAL CODE
	ON	OFF	
	60°F	80°F	06
80°F	100°F	08	
100°F	120°F	10	
120°F	140°F	12	
140°F	160°F	14	

Replacement Parts

For tank-style heaters shown on page 10

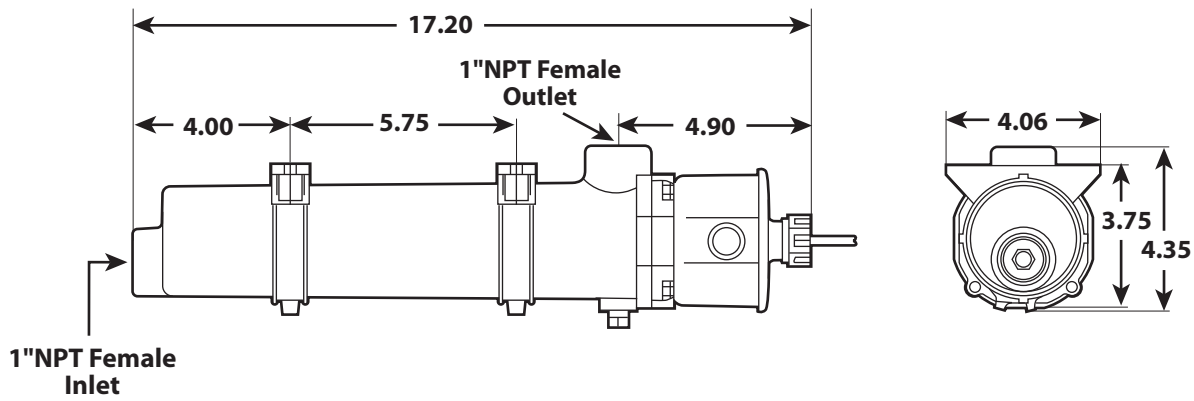
Model Number	Volts	Watts	Replaceable Parts							
			Element	Tank	Box	Power Cord	Power Cord w/T-stat plug*	Element O-ring	Mount Kit	Check Valve
SB115100-000	120	1500	RESB1151	RTB	RTBSB	RTHC1-16	RHS1-16	TMM-OR	FK2	RV-M
SB115800-000	208	1500	RESB1158	RTB	RTBSB	RTHC-16	RHS-16	TMM-OR	FK2	RV-M
SB115200-000	240	1500	RESB1152	RTB	RTBSB	RTHC2-16	RHS2-16	TMM-OR	FK2	RV-M
SB115700-000	277	1500	RESB1157	RTB	RTBSB	RTHC-16	RHS-16	TMM-OR	FK2	RV-M
SB120100-000	120	2000	RESB1201	RTB	RTBSB	RTHC1-14	RHS1-14	TMM-OR	FK2	RV-M
SB120800-000	208	2000	RESB1208	RTB	RTBSB	RTHC-16	RHS-16	TMM-OR	FK2	RV-M
SB120200-000	240	2000	RESB1202	RTB	RTBSB	RTHC2-16	RHS2-16	TMM-OR	FK2	RV-M
SB122100-000	120	2250	RESB1221	RTB	RTBSB	RTHC1-14	RHS1-14	TMM-OR	FK2	RV-M
SB125800-000	208	2500	RECB1258	RTB	RTBSB	RTHC-16	RHS-16	TMM-OR	FK2	RV-M
SB125200-000	240	2500	RECB1252	RTB	RTBSB	RTHC2-16	RHS2-16	TMM-OR	FK2	RV-M
SB125700-000	277	2500	RECB1257	RTB	RTBSB	RTHC-16	RHS-16	TMM-OR	FK2	RV-M
SL130100-000	120	3000	RESL1301	RTL	RTBSL	N/A	N/A	TML-OR	FK6	RV-M
SL130800-000	208	3000	RESL1308	RTL	RTBSL	RTHC-16	RHS-16	TML-OR	FK6	RV-M
SL130200-000	240	3000	RESL1302	RTL	RTBSL	RTHC2-16	RHS2-16	TML-OR	FK6	RV-M
SL130700-000	277	3000	RESL1307	RTL	RTBSL	RTHC-16	RHS-16	TML-OR	FK6	RV-M
SL140800-000	208	4000	RESL1408	RTL	RTBSL	RTHC-14	RHS-14	TML-OR	FK6	RV-M
SL140200-000	240	4000	RESL1402	RTL	RTBSL	RTHC2-16	RHS2-14	TML-OR	FK6	RV-M
SL140700-000	277	4000	RESL1407	RTL	RTBSL	RTHC-16	RHS-16	TML-OR	FK6	RV-M

*Order this replacement cord if original heater is configured with a thermostat assembly.

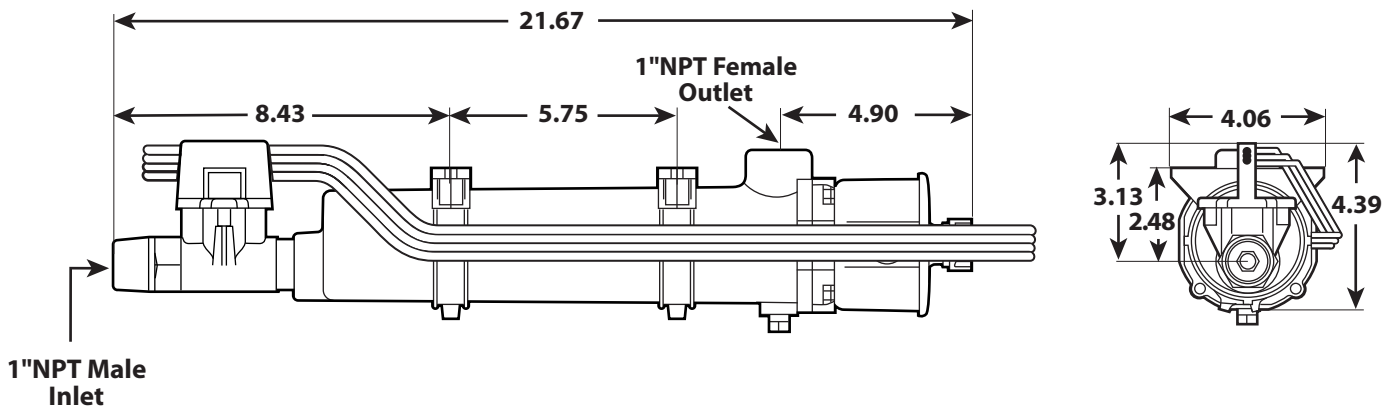


Heaters with Thermostats		
Temperature Range		Thermostat Replacement
ON	OFF	
60°F	80°F	RSU6
80°F	100°F	RSU8
100°F	120°F	RSU10
120°F	140°F	RSU12
140°F	160°F	RSU14
Adjustable 90° - 130°F		RSU90-130

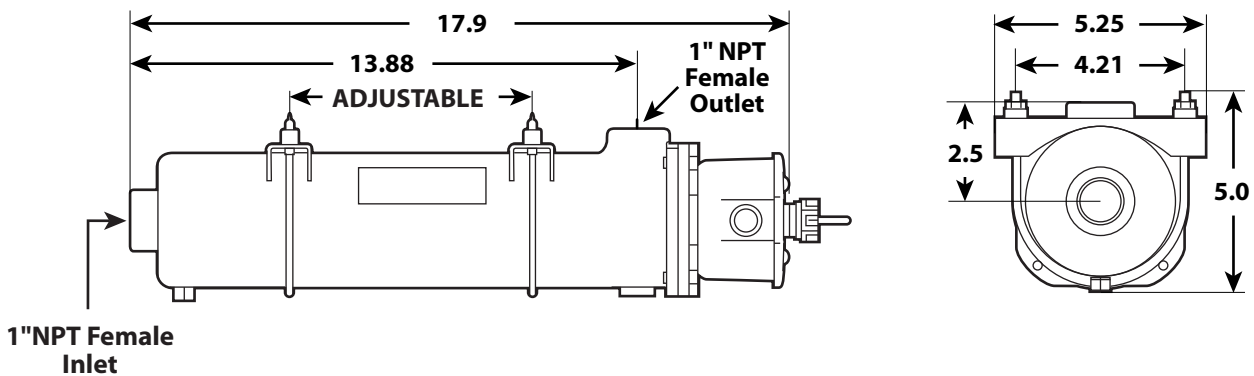
SB Style Heater without thermostat



SB Style Heater with thermostat



SL Style Heater without thermostat



SL Style Heater with thermostat

